

What is MANUNET?

MANUNET is a network of countries and regions funded by the European Commission. Since 2006 MANUNET has been working with the objective to promote and fund transnational research and development projects in the field of manufacturing, through yearly calls for proposals.

MANUNET gathers together national and regional agencies that use their own funding programmes to fund manufacturing research and development projects performed by companies, research centres and universities.

Characteristics of calls

MANUNET is an ideal complementary programme halfway between Horizon 2020 and the national/regional funding programmes and it is tailor-made for SMEs:

- Close to market projects.
- Short term projects and small consortia.
- Simple submission and evaluation process.
- National / regional advisors available.
- Consistent timeline (similar dates each year).
- High success ratio.

Benefits of participating in calls

Participating in MANUNET calls has the following benefits:

- Funding for research activities.
- Collaboration with organisations from other countries.
- Internationalization of strategies and markets.
- Technological renovation.
- Opening of new markets.
- Increased competitiveness.

MANUNET in figures

Since 2007 MANUNET has launched **successful yearly calls** for proposals:

- More than **850 proposals received**.
- **High involvement of SMEs** (more than 2300).
- More than **190 projects and 530 SMEs funded**.
- More than **200 M€ invested** (public and private).

Testimonies of applicants:

“R&D Consulting and Services is an innovative SME interested in researching advanced metal materials. For this competitive field, which makes it difficult to get top results individually, the MANUNET Program facilitates the building of sustainable multi/trans/ and interdisciplinary consortia. MANUNET has allowed us to complete, with relevant results, two projects, together with partners from France and Piedmont, Italy, while at this time the company implements a third project, with partners from Piedmont. Moreover, the partnerships strengthened under this programme were developed through joint participation in other European projects, including FP7.”

Ioan Dan
General Manager, R&D Consulting and Services (Romania)

“The collaborative project iNanospray is a superb example of collaboration between two companies specialized in thermal spray technology (Gutmar and Putzier), a Research Institute focused on Thermal Spraying (CPT) and a Research Institute specialised in automation and industrial processes (ASCAMM).

Through the teamwork among the different members from Catalonia (Spain) and Germany, we have been able to integrate new equipment and software, which has allowed us to develop new coatings. This, in turn, has permitted us to open up new markets for thermal spraying, within the Aeronautical and other Industrial sectors.”

Joan Mascaró
Gutmar S.A., Catalonia (Spain)

“The MANUNET project is unique opportunity for me, as university researcher, to collaborate directly with industrial partners. The project has enabled me to establish consistent and powerful consortium of three Basque industrial and academic partners, IK4 Tekniker, Goizper, Mondragon University and the Slovak Technical University in Bratislava. The consortium is capable of solving current challenges in the field of instability of automotive disc brake components and industrial clutches. Sharing information and co-ordinating research activities allows us to be flexible and competitive with world class research groups.”

Dipl. Ing. Juraj Úradníček, PhD.
Slovak University of Technology in Bratislava (Slovakia)

For more information

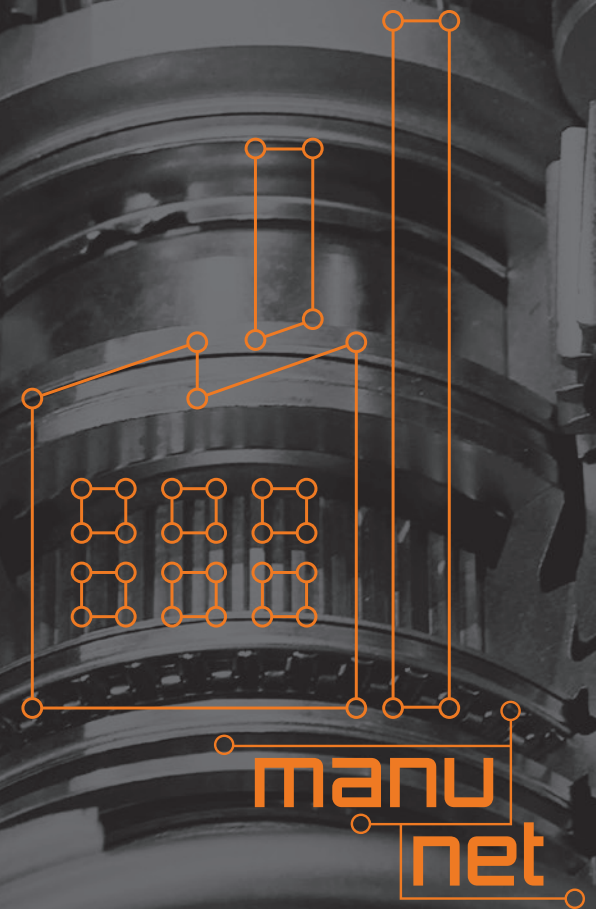
Check the website: www.manUNET.net

Send an email to: manUNET@manUNET.net

Contact the MANUNET contact person in your country/region:
<http://www.manUNET.net/contact/contact-in-your-country-region>

MANUNET FOR INDUSTRY

Driving Manufacturing Excellence into Global Competitiveness



Funded by
the European Union

www.manUNET.net



Define your project idea

First of all you must know what it is what you want to do and **verify whether your idea fits in MANUNET** to be eligible for funding. The European component is very important: **does your project have transnational added value?**



Build the consortium

MANUNET project consortia must consist of **at least 2 independent SMEs belonging to 2 participating countries, or 2 regions in different countries**. Large companies, research centres, universities, etc. may also participate according to their regional/national financing regulations.

MANUNET provides an online partner search tool (<http://www.manUNET.net/call-for-proposals/search-for-partners>) to look for project partners (if you have a project idea) or to offer your research expertise (if you are willing to participate in a project proposed by others). The partner search tool offered by **Enterprise Europe Network** (<http://een.ec.europa.eu/>) can also be used to look for partners for MANUNET project proposals.



Prepare, review and submit your proposal

MANUNET calls follow a two-step application procedure:



1. In the first step (mandatory for all applicants) a **pre-proposal** will have to briefly summarize the project idea, describe the consortium, justify the originality of the approach, calculate the overall costs and estimate the impact. Experts will evaluate and recommend / not recommend the pre-proposal for second stage.

2. If the pre-proposal is recommended for second stage, the **full proposal** will have to contain the following sections: a more detailed project summary, consortium description and justification of the originality of the approach and market needs, a consistent description of work, detailed and itemized cost calculation and an accurate exploitation plan.



THINGS TO BEAR IN MIND:

- First of all, **read all the call documents carefully**.
- Both pre-proposal and full proposal must be **submitted on-line in English** on the MANUNET web site (<http://www.manUNET.net/call-for-proposals/login-submission>).
- Every partner in the project must bear in mind the specific **local application rules/requirements** of each regional/national funding programme.
- National/regional **advisors will be available** during the two stages.



Evaluation criteria

Pre-proposals (in first stage) and full proposals (in second stage) will be evaluated by experts from each of the participating countries and regions.

The following criteria will be taken into account:

- Eligibility of partners and the project itself.
- Project innovation.
- Transnational added value.
- Scientific-technical quality.
- International impact.
- Appropriateness of the structure, management, partners and budget.

Evaluators will reach consensus on each project.

Results will be communicated to all the partners involved in each project after the international evaluation meetings.